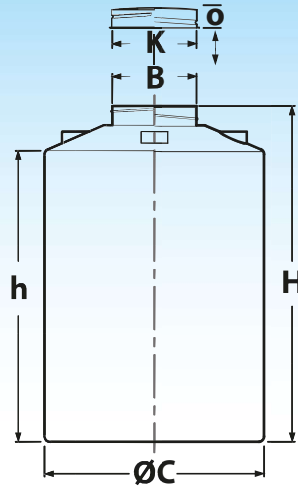


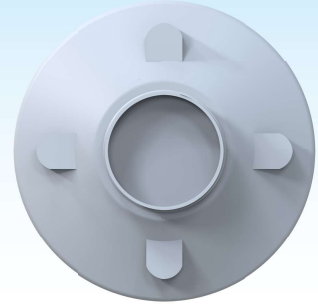
CEN-A



TIS 1379-2551



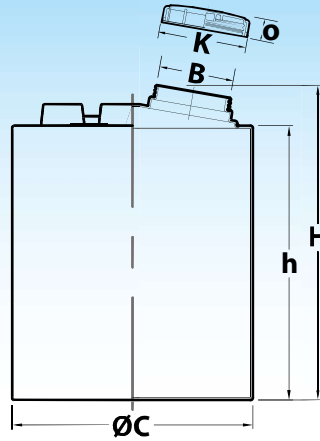
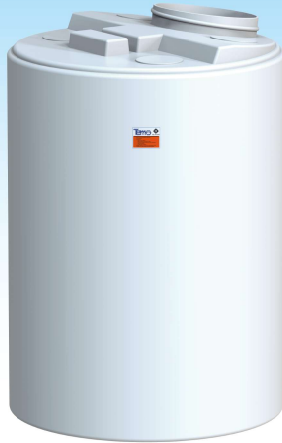
Top View



Part Number	Tank						Lid				Approx. Total Weight (kg)
	Capacity (Litre)	Approx. Dimension (mm)					Part Number	Approx. Dimension (mm)			
		B	C	H	h	Thk.		K	O	Thk.	
CEN1K0A-M141	1,000	395	1,030	1,575	1,365	5.0	CT0395-M1X8	395	90	3.0	30.70
CEN1K0A-M144						5.5					33.70
CEN1K0A-M156						7.5					45.70
CEN1K0A-M168						9.5					57.70
CEN1K5A-M155	1,500	395	1,300	1,530	1,280	5.5	CT0395-M1X8	395	90	3.0	30.70
CEN1K5A-M159						6.0					33.70
CEN1K5A-M167						7.0					45.70
CEN1K5A-M180						10.0					57.70
CEN2K0A-M168	2,000	395	1,300	1,900	1,650	6.0	CT0395-M1X8	395	90	3.0	57.70
CEN2K0A-M178						7.0					67.70
CEN2K0A-M188						8.0					77.70
CEN2K0A-M107						10.0					96.70
CEN2K5A-M174	2,500	395	1,300	2,150	1,900	6.0	CT0395-M1X8	395	90	3.0	63.70
CEN2K5A-M184						7.0					73.70
CEN2K5A-M195						8.0					84.70
CEN2K5A-M211						10.0					100.70
CEN3K0A-M180	3,000	395	1,300	2,650	2,400	6.0	CT0395-M1X8	395	90	3.0	79.00
CEN3K0A-M103						7.0					92.00
CEN3K0A-M216						8.0					105.00
CEN3K0A-M242						10.0					131.00
CEN4K0A-M231	4,000	500	1,600	2,450	2,150	8.0	CT0500-M2X9	500	150	3.0	121.70
CEN4K0A-M261						10.0					151.70
CEN4K0A-M271						11.0					161.70
CEN4K0A-M201						13.0					191.70
CEN4K0A-M331						15.0					221.70
CEN6K0A-M281	6,000	500	1,850	2,830	2,410	8.0	CT0500-M2X9	500	150	3.0	171.70
CEN6K0A-M321						11.0					211.70
CEN6K0A-M361						13.0					251.70
CEN6K0A-M301						15.0					291.70
CEN10K0A-M411	10,000	500	2,100	3,680	3,250	11.0	CT0500-M2X9	500	150	3.0	301.70
CEN10K0A-M461						13.0					351.70
CEN10K0A-M511						15.0					401.70
CEN10K0A-M571						17.0					461.70
CEN10K0A-M501						18.0					491.70
CEN15K0A-M501	15,000	500	2,500	3,680	3,300	14.0	CT0500-M2X9	500	150	3.0	491.70
CEN15K0A-M671						16.0					561.70
CEN15K0A-M741						18.0					631.70
CEN15K0A-M811						20.0					701.70

CEN-B


TIS 1379-2551



Top View



Part Number	Tank						Lid				Approx. Total Weight (kg)
	Capacity (Litre)	Approx. Dimension (mm)					Part Number	Approx. Dimension (mm)			
		B	C	H	h	Thk.		K	O	Thk.	
CEN050B-M114	50	150	380	550	480	3.5	CT0150B-HX29	150	40	2.0	3.18
CEN050B-M4X6						4.0					3.68
CEN050B-M115						5.0					4.18
CEN050B-M116						6.0					5.18
CEN100B-M5X6	100	150	500	660	575	3.5	CT0150B-HX29	150	40	2.0	4.68
CEN100B-M116						4.0					5.18
CEN100B-M118						5.5					7.18
CEN100B-M0X6						7.5					9.68
CEN200B-M118	200	150	650	750	670	3.5	CT0150B-HX29	150	40	2.0	7.18
CEN200B-M119						4.0					8.18
CEN200B-M123						6.0					12.18
CEN200B-M126						7.5					15.18
CEN300B-M122	300	150	650	1,050	970	4.0	CT0150B-HX29	150	40	2.0	11.18
CEN300B-M124						5.0					13.18
CEN300B-M126						5.5					15.18
CEN300B-M131						7.5					20.18
CEN500B-M127	500	395	870	1,040	915	4.5	CT0395-M1X8	395	90	3.0	16.70
CEN500B-M129						5.0					18.70
CEN500B-M131						5.5					20.70
CEN500B-M138						7.5					27.70
CEN1K0B-M141	1,000	395	1,030	1,540	1,390	5.0	CT0395-M1X8	395	150	3.0	30.70
CEN1K0B-M144						5.5					33.70
CEN1K0B-M156						7.5					45.70
CEN1K0B-M168						9.5					57.70
CEN1K0B-M171						10.0					60.70
CEN1K5B-M154	1,500	395	1,300	1,430	1,280	5.5	CT0395-M1X8	395	150	3.0	43.70
CEN1K5B-M158						6.0					47.70
CEN1K5B-M166						7.0					55.70
CEN1K5B-M180						10.0					79.70
CEN2K0B-M167	2,000	395	1,300	1,800	1,650	6.0	CT0395-M1X8	395	150	3.0	56.70
CEN2K0B-M177						7.0					66.70
CEN2K0B-M186						8.0					75.70
CEN2K0B-M105						10.0					94.70
CEN2K5B-M173	2,500	395	1,300	2,050	1,900	6.0	CT0395-M1X8	395	150	3.0	62.00
CEN2K5B-M184						7.0					73.00
CEN2K5B-M194						8.0					83.00
CEN2K5B-M211						10.0					100.00
CEN3K0B-M180	3,000	395	1,300	2,550	2,400	6.0	CT0395-M1X8	395	150	3.0	69.00
CEN3K0B-M103						7.0					92.00
CEN3K0B-M216						8.0					105.00
CEN3K0B-M242						10.0					131.00



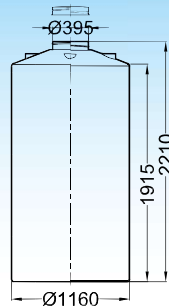
CEN100C

Tank			Lid		Approx. Total Weight (kg)
Part Number	Capacity (Litre)	Thk.	Part Number	Thk.	
CEN100C-M6X6	100	3.5	CT0150B-HX29	2.0	5.70
CEN100C-M117		4.0			6.20
CEN100C-M119		5.5			8.20
CEN100C-M122		7.5			10.90



CEN1K0C

Tank			Lid		Approx. Total Weight (kg)
Part Number	Capacity (Litre)	Thk.	Part Number	Thk.	
CEN1K0C-M141	1,000	5.0	CT0395A-M1X8	3.0	30.70



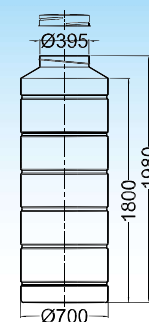
CEN2K0C

Tank			Lid		Approx. Total Weight (kg)
Part Number	Capacity (Litre)	Thk.	Part Number	Thk.	
CEN2K0C-M169	2,000	6	CT0395A-M1X8	3.0	58.00
CEN2K0C-M181		7			70.00
CEN2K0C-M191		8			80.00
CEN2K0C-M107		10			96.00



CON100C

Tank			Lid		Approx. Total Weight (kg)
Part Number	Capacity (Litre)	Thk.	Part Number	Thk.	
CON100C-M6X3	100	3.5	CN0350B-M1X6	2.0	5.70
CON100C-M6X9		4.0			6.20
CON100C-M8X9		5.5			8.20
CON100C-M122		7.0			10.90



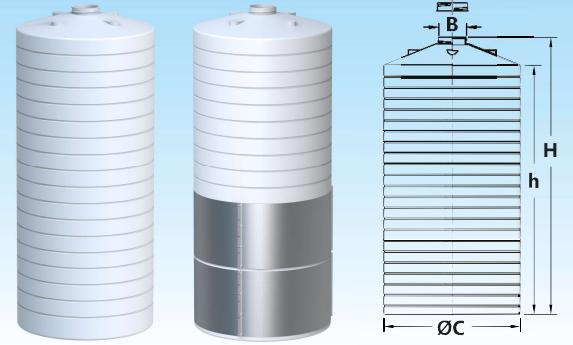
CEN650E

Tank			Lid		Approx. Total Weight (kg)
Part Number	Capacity (Litre)	Thk.	Part Number	Thk.	
CEN650E-M132	650	4.5	CT0395A-M1X8	3.0	21.70

CEN25KE

CEN35KE

CEN50KE

CEN025KC


CEN25KE	Tank						Lid		Approx. Total Weight (kg)
	Part Number	Capacity (Liters)	Approx. Dimensions (mm.)				Part Number	Thk.	
			B	C	H	h			
CEN25KE-M981	25,000	500	3,500	3,270	2,880	CT0500A-M2X9	3.0	18.0	871.8
CEN25KE-M081								20.0	971.8

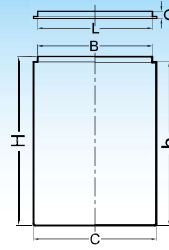
CEN35KE	Tank						Lid		Approx. Total Weight (kg)
	Part Number	Capacity (Liters)	Approx. Dimensions (mm.)				Part Number	Thk.	
			B	C	H	h			
CEN35KE-M3K3	35,000	500	3,500	4,115	3,750	20.0	CT0500A-M2X9	3.0	1,360.50

CEN50KE	Tank						Lid		Approx. Total Weight (kg)
	Part Number	Capacity (Liters)	Approx. Dimensions (mm.)				Part Number	Thk.	
			B	C	H	h			
CEN50KE-M4K5	*50,000	500	3,500	6,065	5,700	20.0	CT0500A-M2X9	3.0	1,943.60

CEN025KC	Tank						Lid		Approx. Total Weight (kg)
	Part Number	Capacity (Liters)	Approx. Dimensions (mm.)				Part Number	Thk.	
			B	C	H	h			
CEN025KC-M081	25,000	500	3,500	5,380	5,000	20.0	CT0500A-M2X9	3.0	971.80

CON-A


TIS 1379-2551



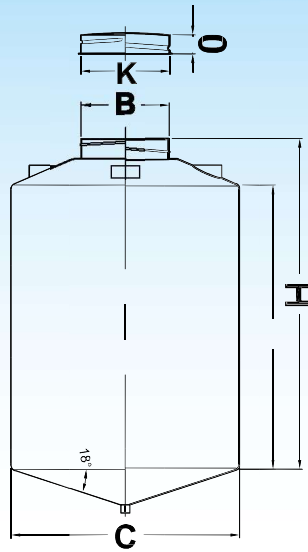
Tank							Lid				Approx. Total Weight (kg)
Part Number	Capacity (Litre)	Approx. Dimension (mm)					Part Number	Approx. Dimension (mm)			
		B	C	H	h	Thk.		K	O	Thk.	
CON050A-M114	50	340	380	520	490	4.0	CN0350B-M1X6	350	45	3.0	3.50
CON050A-M4X6						4.5					4.00
CON050A-M115						5.0					4.50
CON050A-M5X6						6.0					5.00
CON100A-M5X6	100	440	500	590	565	4.0	CN0435B-M1X8	435	45	3.0	5.20
CON100A-M116						4.5					5.70
CON100A-M7X6						5.5					7.20
CON100A-M119						7.0					8.70
CON200A-M118	200	595	650	680	660	4.0	CN0590B-M2X5	590	50	3.0	8.40
CON200A-M8X6						4.5					8.90
CON200A-M121						5.5					11.40
CON200A-M123						7.0					13.40
CON300A-M122	300	595	650	1,005	990	4.0	CN0590B-M2X5	590	50	3.0	12.40
CON300A-M123						4.5					13.40
CON300A-M126						5.5					16.40
CON300A-M120						7.0					20.40
CON500A-M127	500	780	870	920	875	5.0	CN0760B-M2X9	760	75	2.5	17.80
CON500A-M120						6.0					20.80
CON500A-M137						8.0					27.80
CON500A-M143						10.0					33.80
CON1K0A-M143	1,000	960	1,030	1,415	1,370	6.0	CN0940B-M4X8	940	95	3.0	35.70
CON1K0A-M148						7.0					40.70
CON1K0A-M154						8.0					46.70
CON1K0A-M164						10.0					56.70
CON1K5A-M154	1,500	1,230	1,300	1,300	1,260	6.0	CN1220B-M6X9	1,220	90	3.5	46.80
CON1K5A-M158						7.0					52.80
CON1K5A-M166						8.0					59.80
CON1K5A-M180						10.0					73.80
CON2K0A-M161	2,000	1,220	1,300	1,700	1,660	6.0	CN1220B-M6X9	1,220	90	3.5	55.80
CON2K0A-M160						7.0					64.80
CON2K0A-M178						8.0					72.80
CON2K0A-M195						10.0					89.80
CON2K5A-M167	2,500	1,200	1,300	1,940	1,900	6.0	CN1220B-M6X9	1,220	90	3.5	61.80
CON2K5A-M177						7.0					71.80
CON2K5A-M186						8.0					80.80
CON2K5A-M105						10.0					99.80
CON2K0A-M182	3,000	1,200	1,300	2,440	2,400	6.0	CN1220B-M6X9	1,220	90	3.5	76.80
CON2K0A-M193						7.0					87.80
CON2K0A-M205						8.0					99.80
CON2K0A-M228						10.0					122.80
CON4K0A-M221	4,000	1,500	1,600	2,210	2,160	8.0	CN1520E-M122	1,520	310	4.5	121.00
CON4K0A-M241						10.0					141.00
CON4K0A-M261						11.0					161.00
CON4K0A-M281						13.0					181.00
CON4K0A-M311						15.0					211.00
CON6K0A-M261	6,000	1,750	1,850	2,460	2,400	9.0	CN1750E-M126	1,750	345	4.5	165.00
CON6K0A-M291						11.0					195.00
CON6K0A-M331						13.0					135.00
CON6K0A-M361						15.0					165.00
CON10K0A-M371	10,000	2,000	2,100	3,240	3,320	11.0	CN1520E-M122	1,520	310	4.5	121.00
CON10K0A-M421						13.0					141.00
CON10K0A-M471						15.0					161.00
CON10K0A-M521						17.0					181.00
CON10K0A-M541						18.0					211.00

Conical Bottom-Shaped Tank

CENA-E



TIS 1379-2551

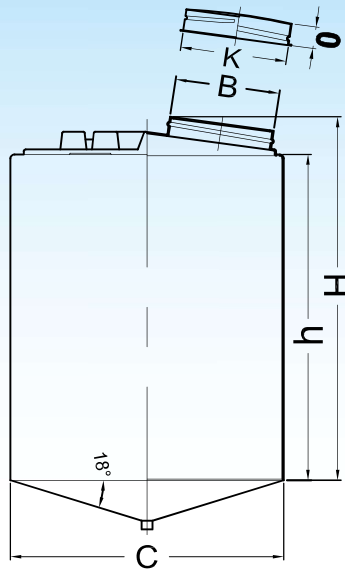
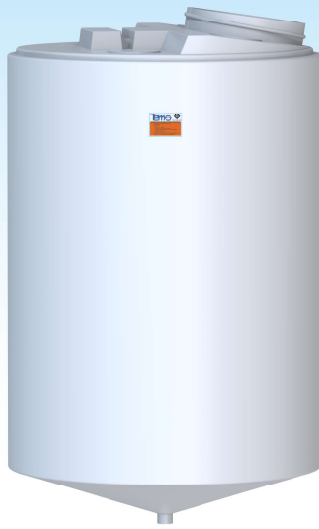


Part Number	Tank						Part Number	Lid			Approx. Total Weight (kg)	
	Capacity (Litre)	Approx. Dimension (mm)						Approx. Dimension (mm)				
		B	C	H	h	Thk.		K	O	Thk.		
CENA1K0E-M146	1,000	395	1,030	1,550	1,340	5.0	CT0395A-M1X8	395	90	3.0	35.00	
CENA1K0E-M140						5.5						39.00
CENA1K0E-M163						7.5						57.00
CENA1K0E-M178						9.5						67.00
CENA1K5E-M162	1,500	395	1,300	1,530	1,280	5.5	CT0395A-M1X8	395	90	3.0	51.00	
CENA1K5E-M167						6.0						56.00
CENA1K5E-M176						7.0						65.00
CENA1K5E-M104						10.0						93.00
CENA2K0E-M176	2,000	395	1,300	1,930	1,680	6.0	CT0395A-M1X8	395	90	3.0	63.00	
CENA2K0E-M187						7.0						76.00
CENA2K0E-M198						8.0						87.00
CENA2K0E-M210						10.0						109.00
CENA2K5E-M181	2,500	395	1,300	2,150	1,900	6.0	CT0395A-M1X8	395	90	3.0	70.00	
CENA2K5E-M193						7.0						82.00
CENA2K5E-M106						8.0						95.00
CENA2K5E-M229						10.0						118.00
CENA3K0E-M191	3,000	395	1,300	2,650	2,400	6.0	CT0395A-M1X8	395	90	3.0	80.70	
CENA3K0E-M203						7.0						92.70
CENA3K0E-M216						8.0						105.70
CENA3K0E-M242						10.0						133.70
CENA4K0E-M247	4,000	500	1,600	2,450	2,150	8.0	CT0500A-M2X9	500	150	3.0	136.00	
CENA4K0E-M281						10.0						170.00
CENA4K0E-M298						11.0						187.00
CENA4K0E-M332						13.0						221.00
CENA4K0E-M366						15.0						255.00
CENA6K0E-M295	6,000	500	1,850	2,830	2,410	8.0	CT0500A-M2X9	500	150	3.0	184.00	
CENA6K0E-M364						11.0						253.00
CENA6K0E-M300						13.0						299.00
CENA6K0E-M456						15.0						345.00
CENA10KE-M463	10,000	500	2,100	3,680	3,250	11.0	CT0500A-M2X9	500	150	3.0	352.00	
CENA10KE-M527						13.0						416.00
CENA10KE-M591						15.0						480.00
CENA10KE-M655						17.0						544.00
CENA10KE-M687						18.0						576.00

Conical Bottom-Shaped Tank

CENB-E


TIS 1379-2551

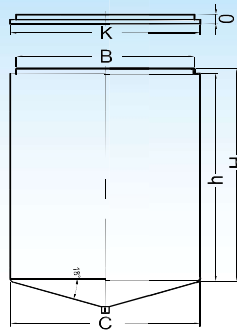


Part Number	Tank						Lid				Approx. Total Weight (kg)		
	Capacity (Litre)	Approx. Dimension (mm)					Part Number	Approx. Dimension (mm)					
		B	C	H	h	Thk.			K	O	Thk.		
CENB100E-M116	100	150	500	660	575	3.5	CT0150B-HX29	150	40	2.0	5.0		
CENB100E-M117						4.0					6.0	8.5	
CENB100E-M118						6.0							
CENB100E-M9X6						7.5							
CENB200E-M120	200	150	650	750	670	3.5	CT0150B-HX29	150	40	2.0	10.0		
CENB200E-M122						4.0							11.0
CENB200E-M128						6.0							16.0
CENB200E-M133						7.5							22.0
CENB500E-M131	500	395	870	1,040	915	4.5	CT0395A-M1X8	395	90	3.0	20.0		
CENB500E-M133						5.0							22.0
CENB500E-M136						5.5							25.0
CENB500E-M145						7.5							34.0
CENB1K0E-M146	1,000	395	1,030	1,540	1,390	5.5	CT0395A-M1X8	395	90	3.0	35.0		
CENB1K0E-M140						7.5							39.0
CENB1K0E-M163						9.5							57.0
CENB1K0E-M178						10.0							67.0
CENB1K5E-M162	1,500	395	1,300	1,430	1,280	5.5	CT0395A-M1X8	395	90	3.0	51.0		
CENB1K5E-M167						6.0							56.0
CENB1K5E-M176						7.0							65.0
CENB1K5E-M104						10.0							93.0
CENB2K0E-M176	2,000	395	1,300	1,800	1,650	6.0	CT0395A-M1X8	395	90	3.0	63.0		
CENB2K0E-M187						7.0							76.0
CENB2K0E-M198						8.0							87.0
CENB2K0E-M210						10.0							109.0
CENB2K5E-M181	2,500	395	1,300	2,050	1,900	6.0	CT0395A-M1X8	395	90	3.0	70.0		
CENB2K5E-M193						7.0							82.0
CENB2K5E-M106						8.0							95.0
CENB2K5E-M229						10.0							118.0
CENB3K0E-M191	3,000	395	1,300	2,550	2,400	6.0	CT0395A-M1X8	395	90	3.0	80.7		
CENB3K0E-M203						7.0							92.7
CENB3K0E-M216						8.0							105.7
CENB3K0E-M242						10.0							133.7

Conical Bottom-Shaped Tank

CONA-E


TIS 1379-2551

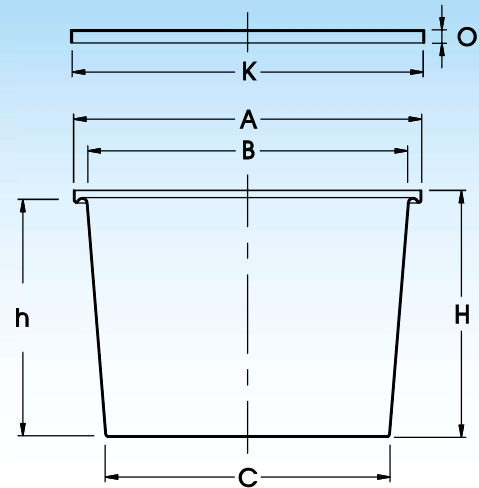


Part Number	Tank						Lid				Approx. Total Weight (kg)
	Capacity (Litre)	Approx. Dimension (mm)					Part Number	Approx. Dimension (mm)			
		B	C	H	h	Thk.		K	O	Thk.	
CONA100E-M6X6	100	440	500	590	565	4.0	CN0435B-M1X8	590	50	3.0	9.50
CONA100E-M117						4.5					9.80
CONA100E-M8X6						5.5					12.50
CONA100E-M0X6						7.0					14.40
CONA200E-M9X2	200	595	650	680	660	4.0	CN0590B-M2X5	590	50	3.0	9.50
CONA200E-M9X5						4.5					9.80
CONA200E-M122						5.5					12.50
CONA200E-M124						7.0					14.40
CONA500E-M129	500	780	870	920	875	5.0	CN0760B-M2X9	760	75	2.5	19.30
CONA500E-M132						6.0					22.50
CONA500E-M138						8.0					29.10
CONA500E-M145						10.0					35.30
CONA1K0E-M130	1,000	960	1,030	1,415	1,370	6.0	CN0940B-M4X8	940	95	3.0	32.60
CONA1K0E-M145						7.0					37.20
CONA1K0E-M149						8.0					41.70
CONA1K0E-M159						10.0					51.20
CONA1K5E-M154	1,500	1,230	1,300	1,300	1,260	6.0	CN1220B-M6X9	1,220	90	3.5	48.50
CONA1K5E-M161						7.0					55.40
CONA1K5E-M168						8.0					62.30
CONA1K5E-M189						10.0					76.00
CONA2K0E-M164	2,000	1,220	1,300	1,700	1,660	6.0	CN1220B-M6X9	1,220	90	3.5	58.60
CONA2K0E-M172						7.0					67.10
CONA2K0E-M181						8.0					75.70
CONA2K0E-M198						10.0					92.70
CONA2K5E-M160	2,500	1,200	1,300	1,940	1,900	6.0	CN1220B-M6X9	1,220	90	3.5	64.70
CONA2K5E-M170						7.0					74.30
CONA2K5E-M189						8.0					83.70
CONA2K5E-M109						10.0					103.50
CONA3K0E-M184	3,000	1,200	1,300	2,440	2,400	6.0	CN1220B-M6X9	1,220	90	3.5	73.70
CONA3K0E-M196						7.0					85.70
CONA3K0E-M205						8.0					96.70
CONA3K0E-M231						10.0					120.70
CONA4K0E-M224	4,000	1,500	1,600	2,210	2,160	8.0	CN1520E-M122	1,520	310	4.5	126.00
CONA4K0E-M248						10.0					148.00
CONA4K0E-M263						11.0					163.00
CONA4K0E-M288						13.0					188.00
CONA4K0E-M396						15.0					216.00
CONA6K0E-M279	6,000	1,750	1,850	2,400	2,460	9.0	CN1750E-M126	1,750	345	4.5	175.00
CONA6K0E-M206						11.0					210.00
CONA6K0E-M349						13.0					245.00
CONA6K0E-M377						15.0					281.00
CONA10KE-M301	10,000	2,000	2,100	3,240	3,320	11.0	-	-	-	-	290.00
CONA10KE-M453						13.0					342.00
CONA10KE-M406						15.0					395.00
CONA10KE-M557						17.0					446.00
CONA10KE-M583						18.0					472.00

COT-A



TIS 1379-2551



Tank								Lid				Approx. Total Weight (kg)
Part Number	Capacity (Litre)	Approx. Dimension (mm)						Part Number	Approx. Dimension (mm)			
		A	B	C	H	h	Thk.		K	O	Thk.	
COT040A-M113	40	520	420	330	360	335	3.5	-	-	-	-	2.00
COT040A-M3X3							4.0					2.20
COT150A-M6X6	150	700	650	570	610	580	4.0	-	-	-	-	5.50
COT150A-M7X6							4.5					6.50
COT150A-M9X6							6.0					8.50
COT150A-M122							7.5					11.00
COT200A-M118	200	760	700	560	730	705	4.0	CN0760A-M2X5	760	50	2.5	8.40
COT200A-M8X6							4.5					8.90
COT200A-M121							6.0					11.40
COT200A-M125							8.0					15.40
COT280A-M119	280	1,080	1,010	900	430	390	4.0	-	-	-	-	8.00
COT280A-M110							4.5					9.00
COT280A-M123							6.0					12.00
COT280A-M127							8.0					16.00
COT350A-M121	350	870	310	750	790	755	4.0	CN0870A-M3X4	870	45	3.0	12.30
COT350A-M122							4.5					13.30
COT350A-M125							6.0					16.30
COT350A-M120							8.0					21.30
COT500A-M128	500	1,100	1,020	900	780	740	5.5	CN1100A-M4X6	1,100	40	3.0	20.50
COT500A-M129							6.0					21.50
COT500A-M136							8.0					28.50
COT500A-M142							10.0					34.50
COT900A-M136	900	1,340	1,280	1,010	860	820	6.0	-	-	-	-	25.00
COT900A-M141							7.0					30.00
COT900A-M145							8.0					34.00
COT900A-M153							10.0					42.00
COT1K0A-M139	1,000	1,420	1,360	1,250	830	780	6.0	-	-	-	-	28.00
COT1K0A-M144							7.0					33.00
COT1K0A-M149							8.0					38.00
COT1K0A-M158							10.0					47.00
COT1K5A-M149	1,500	1,630	1,550	1,460	950	910	6.0	-	-	-	-	38.00
COT1K5A-M155							7.0					44.00
COT1K5A-M161							8.0					50.00
COT1K5A-M174							10.0					63.00

Intermediate Bulk Containers (IBC's)



The container has been developed for efficient and safe handling, storage and transportation of various products such as corrosive and non-corrosive chemicals, edible oils and other foodstuffs.

Special Features

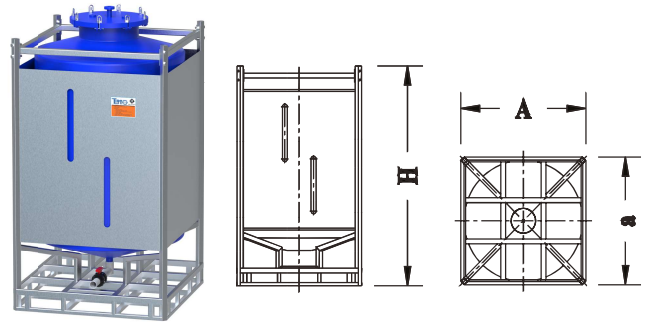
- ✓ PE tanks with a 40 mm. integral-moulded level indicator (easy and accurate checking on liquid level)
- ✓ Fabrication with 1 -1/2" PVC recessed ball valves
- ✓ Special lining for the corrosive material
- ✓ Welded steel frame with hot-dip galvanized, epoxy painted or stainless steel 304
- ✓ Two-high stackable pallets permitting four-way entry by forkiift truck and capable for overhead lifting
- ✓ Compliance with FDA regulation (177.1520)
- ✓ Performance and safety tested according to British standards

BTR

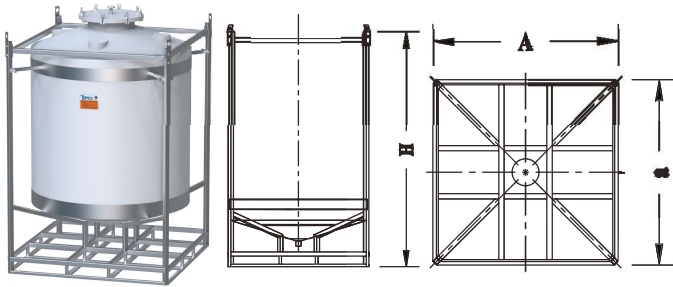
SR01



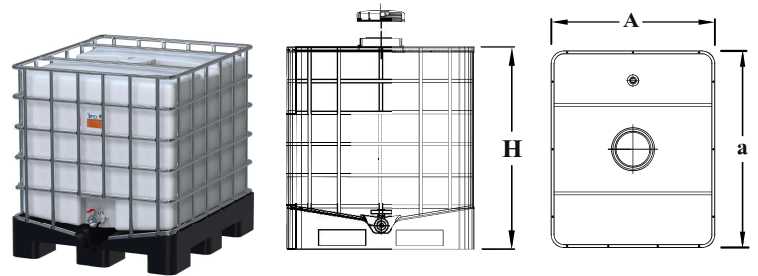
TIS 1379-2551



BTC



SR02

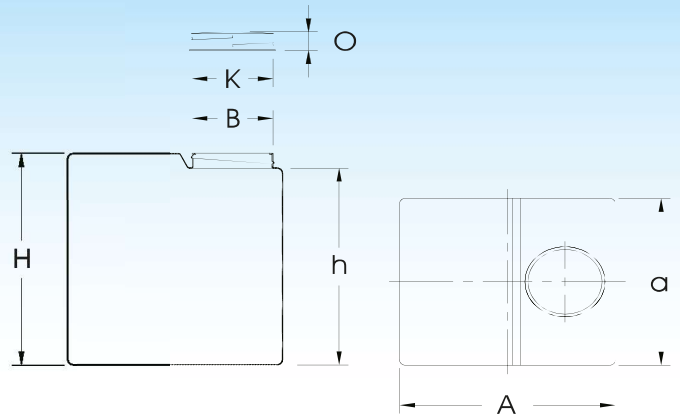


Part Number	Capacity (Litres)	App. Dimensions (mm)			PE Tank	PVC Ball Valve 1-1/2"	Frame
		A	a	H			
BTC1K0A-SR01	1,000	1,080	1,080	1,760	✓	✓	✓
BTC1K5A-SR01	1,500	1,350	1,350	2,060	✓	✓	✓
BTC2K0A-SR01	2,000	1,350	1,350	2,460	✓	✓	✓
BTC2K5A-SR01	2,500	1,350	1,350	2,680	✓	✓	✓
BTR1K0D-SR01	1,000	1,000	1,000	1,720	✓	✓	✓
BTR1K0D-SR02	1,090	1,310	1,000	1,165	✓	✓	✓

Pharmaceutical Tank



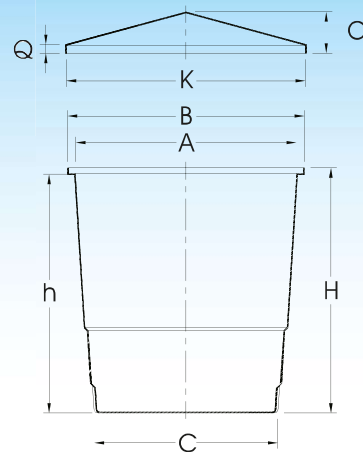
TIS 1379-2551


REN-C

Tank								Lid				Approx. Total Weight (kg)
Part Number	Capacity (Litre)	Approx. Dimension (mm)						Part Number	Approx. Dimension (mm)			
		A	B	a	H	h	Thk.		K	O	Thk.	
REN300C-M124	300	680	150	680	760	690	4.0	CT0150B-HX29	150	40	2.0	13.18
REN300C-M127							5.0					16.18
REN300C-M120							6.0					19.18
REN300C-M133							7.0					22.18
REN1K0C-M155	1,000	1,750	395	930	1,180	1,100	6.5	CT0395A-M1X8	395	90	3.0	44.70
REN1K0C-M162							7.5					51.70
REN1K0C-M172							9.0					61.70
REN1K0C-M185							11.0					74.70



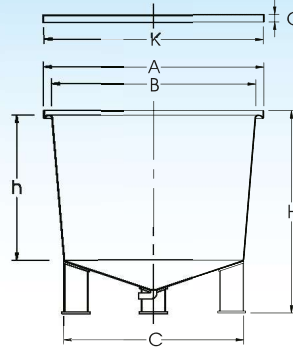
TIS 1379-2551


COT-D

Tank								Lid				Approx. Total Weight (kg)	
Part Number	Capacity (Litre)	Approx. Dimension (mm)						Part Number	Approx. Dimension (mm)				
		A	B	a	H	h	Thk.		K	O	Q		Thk.
COT300D-M118	300	820	760	640	830	805	3.0	CN0820C-M113	820	160	30	3.0	9.00
COT550D-M128	550	1,000	950	800	1,020	985	5.0	CN1000C-M114	1,000	235	40	3.0	20.00
COT1K0D-M137	1,000	1,210	1,130	930	1,240	1,205	5.5	CN1210C-M115	1,210	240	40	3.0	30.00
COT1K6D-M147	1,600	1,370	1,300	1,070	1,495	1,460	5.5	CN1370C-M117	1,370	240	40	3.5	42.00
COT2K0D-M157	2,000	1,480	1,410	1,170	1,610	1,575	6.0	CN1480C-M118	1,480	370	45	3.5	53.00
COT2K5D-M162	2,500	1,570	1,510	1,240	1,700	1,695	6.0	CN1570C-M110	1,570	370	45	3.5	60.00

Pharmaceutical Tank

COT-E



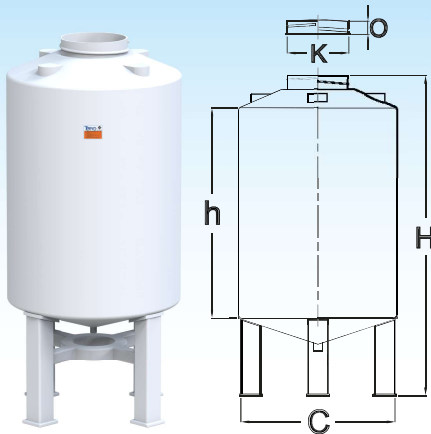
COT-F



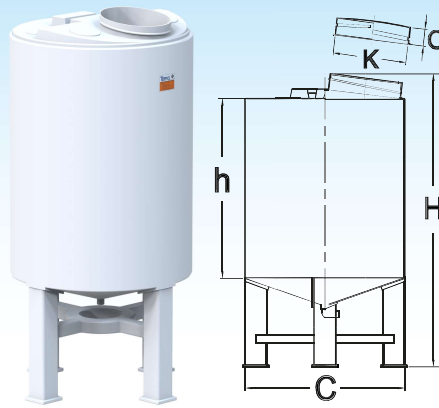
TIS 1379-2551

Part Number	Tank							Part Number	Lid			Approx. Total Weight (kg)
	Capacity (Litre)	Approx. Dimension (mm)							Approx. Dimension (mm)			
		A	B	C	H	h	Thk.		K	O	Thk.	
COT200E-M122	200	760	700	560	730	705	4.0	CN0760A-M2X5	760	50	2.5	-
COT500E-M134	500	760	700	560	730	705	4.5	CN1100A-M4X6	1100	40	3.0	-
COT200A-M121	200	760	700	560	730	705	6.0	CN0760A-M2X5	760	50	2.5	-
COT500A-M125	500	760	700	560	730	705	8.0	CN1100A-M4X6	1100	40	3.0	-

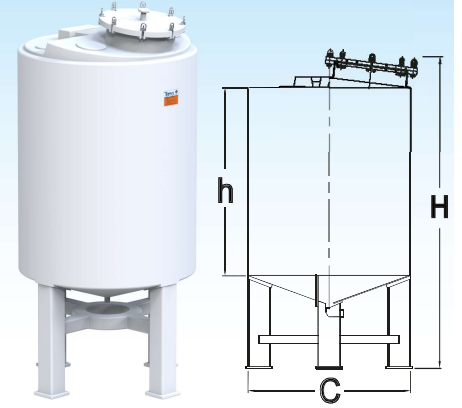
CET-A



CET-B



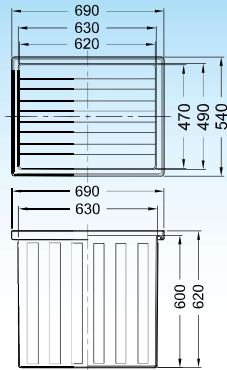
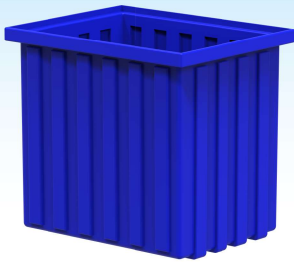
CET-D



Part Number	Tank							Part Number	Lid			Approx. Total Weight (kg)
	Capacity (Litre)	Approx. Dimension (mm)							Approx. Dimension (mm)			
		A	B	C	H	h	Thk.		K	O	Thk.	
CET200B-M125	200	-	-	560	1,010	710	5.0	CT0150B-HX29	150	40	2.0	14.18
CET500A-M145	500	-	-	900	1,220	740	5.0	CT0395A-M1X8	395	90	3.0	34.70
CET500B-M145	500	-	-	900	1,175	740	5.0	CT0395A-M1X8	395	90	3.0	34.70
CET500B-M140		6.0	39.70									
CET500B-M158		7.5	47.70									
CET500D-M162	500	-	-	900	1,255	740	6.0	CT0395A-M1X8	395	90	3.0	51.00
CET500D-M160		7.5	59.00									

ROT150B

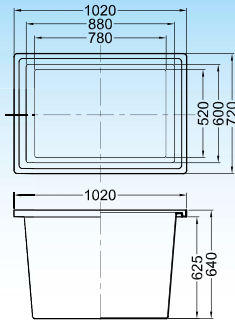
150 Liters



Tank		Lid		Approx. Total Weight (kg)
Part Number	Thk.	Part Number	Thk.	
ROT150B-M122	6.0	RN0690A-M2X6	3.0	12.5
ROT150B-M124	7.0	RN0690A-M2X6	3.0	14.5
ROT150B-M126	8.0	RN0690A-M2X6	3.0	16.5
ROT150B-M128	9.0	RN0690A-M2X6	3.0	18.5

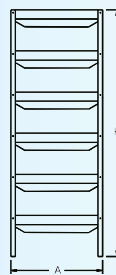
ROT260A

260 Liters

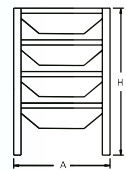


Tank		Lid		Approx. Total Weight (kg)
Part Number	Thk.	Part Number	Thk.	
ROT260B-M126	6.0	RN1020A-M4X5	3.5	18.4
ROT260B-M129	7.0	RN1020A-M4X5	3.5	21.4
ROT260B-M132	8.0	RN1020A-M4X5	3.5	24.4
ROT260B-M134	9.0	RN1020A-M4X5	3.5	26.4

Tray Aerator
TM6070A-TA02N



TM4014A-ZA01N



Part Number	Capacity (Litres)	Flow Capacity m ³ /h	No. of Tray	Filter Media pc/set	App. Dimensions (mm.)	
					A	H
TM4014A-ZA01N	14	1	4	100	485	730
TM6070A-TA02N	70	10	6	900	815	2,180

PE Biofiltration Media



20 pcs. PE plate



stand

- Used for filtration application in pressured sand filter, carbon filter, softener tanks, etc. These nozzles are installed on strainer plate design and header lateral system for distribution and collection purpose.



- Lightweight construction
- Serves as the attachment basis for microorganisms
- The spacing serves as the passage of water to provide enough room for bacterial growth
- Widely used in sanitary sewage and industrial water processing